

15kV	200A Loadbreak Elbow	w/o Test Point	161LRJS-W5X
------	----------------------	----------------	-------------



Features:

- 15kV, 200 Amp Loadbreak Elbow
- Fully shielded, fully submersible molded rubber housing
- 100% peroxide-cured construction includes insulation and conductive EPDM materials
- Provision for hot stick operation
- Provision for ground wire connection
- Wide cable range with minimum number of sizes
- Long bi-metal compression lug is standard
- Built in cable jacket seal

161LRJS Jacket Seal Loadbreak Elbow Connector

Applications:

The Elastimold® 161LRJS Elbow Connector is a fully rated 15kV, 200 Amp Class loadbreak connector. It includes provisions for energized operation using standard hotstick tools allowing loadmake/loadbreak operation and a visible disconnect. It has a standard interface for connecting to 15kV, 200 Amp bushing inserts, junctions, and operating accessories. The 161LRJS is designed for connecting to and operating 15kV Class, 200 Amp distribution apparatus. It provides a convenient method to connect/disconnect cable and equipment on power distribution systems. The 165LRJS allows connection of cables with insulation diameters from .575" (14,6mm) to 1.220" (31,0mm) with only four elbow sizes. (#4 solid, 175 mil to 4/0 stranded, 260 mil)

Ratings:

Meets ANSI/IEEE Standard 386, Latest Revision

For 15kV Voltage Class:

8.3kV Max Phase-to-Ground – Operating Voltage
 14.4kV Max Phase-to-Phase
 95kV BIL – Impulse Withstand (1.2 x 50 microsecond wave)
 34kV AC – One minute withstand
 53kV DC – 15 minutes withstand
 11kV AC – Corona Extinction @ 3pC sensitivity
 200 Amp – Continuous and Loadbreak
 10kA Sym – 10 Cycles Momentary & Fault Close

15kV	200A Loadbreak Elbow	w/o Test Point	161LRJS-W5X
------	----------------------	----------------	-------------

CATALOG NUMBER SELECTION

Step 1 (W)

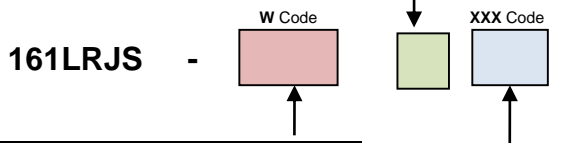
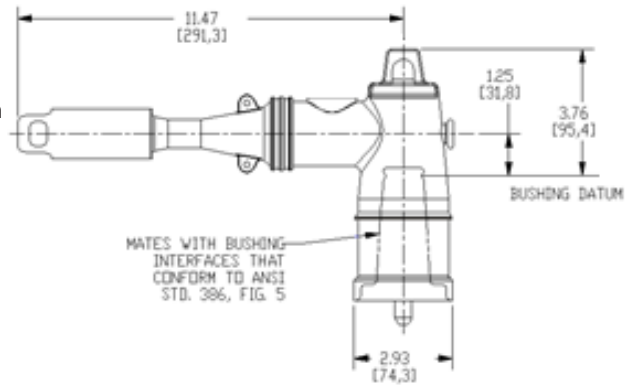
Determine the insulation diameter of the cable.
 Select the insulation letter code that best straddles the insulation diameter from W table below. Insert code into catalog number.

Step 2

Insert conductor material code from the Material Code table.
 Code 5 is standard.

Step 3 (X)

Choose the proper compression lug code according to the conductor size from the Conductor Code Table. Insert code into catalog number.



Cable Insulation Diameter in Inches		Cable Insulation Diameter in mm		Symbol for W
MIN.	MAX.	MIN.	MAX.	
0.575	0.740	14.6	18.8	A
0.635	0.905	16.1	23.0	B
0.805	1.060	20.5	26.9	C
0.890	1.220	22.6	31.0	D

XXX Code	Conductor Size AWG or kcmil			Connector only	
	Strand./ Compr.	Solid/ Comp.	mm ²	Bi-Metal	Copper
190	-	#4	-	02500190	027002190
200	#4	#3	-	02500200	02702200
210	#3	#2	25	02500210	02702210
220	#2	#1	35	02500220	02702220
230	#1	1/0	50	02500230	02702230
240	1/0	2/0	-	02500240	02702240
250	2/0	3/0	70	02500250	02702250
260	3/0	4/0	95	02500260	02702260
270	4/0	250	125	02500270	02702270

Example:

The ordering number for an Elbow Connector for a 1/0 compressed/stranded, 220 mil wall cable with an insulation diameter of .805" to .895" is 161LRJS-B5240.

Each kit contains the following:

- | | | |
|---|--------------------------|-----------|
| 1 | Elbow connector housing | 161LRJS-W |
| 1 | Bi-metal compression lug | 02500XXX |
| 1 | Probe | 166LRF |
| 1 | Tube, lubricant | 82-08 |
| 1 | Crimp chart | CC-0020 |
| 1 | Butyl Auto Tape | 350-37-3 |
| 1 | Installation Instruction | IS-1379 |

Notes:

- * Copper compression lug suitable for all copper conductors only.
- ** Bi-metal compression lug with universal aluminum barrel suitable for copper or aluminum conductors.